



2.5GHz 1,6/5.6 N/O S.P.3 T. SWITCH

OPTIONS :

**R F CHARACTERISTICS**

NUMBER OF WAYS : 3  
FREQUENCY RANGE : 0 - 2.5 GHz  
IMPEDANCE : 75 Ohms

|                 |         |         |
|-----------------|---------|---------|
| FREQUENCY (GHz) | 0 - 1   | 1 - 2.5 |
| V.S.W.R <=      | 1.20    | 1.30    |
| INSERT. LOSS <= | 0.20 dB | 0.30 dB |
| ISOLATION >=    | 80 dB   | 70 dB   |
| AVER. POWER (*) | 400 W   | 240 W   |

**ELECTRICAL CHARACTERISTICS**

ACTUATOR : NORMALLY OPEN  
NOMINAL CURRENT AT 25° C (±10%) : 250 mA  
ACTUATOR VOLTAGE (Vcc) : 12V (10.2 to 13V) / POSITIVE COMMON  
TERMINALS : solder pins (250°C max./30 sec.)

**MECHANICAL CHARACTERISTICS**

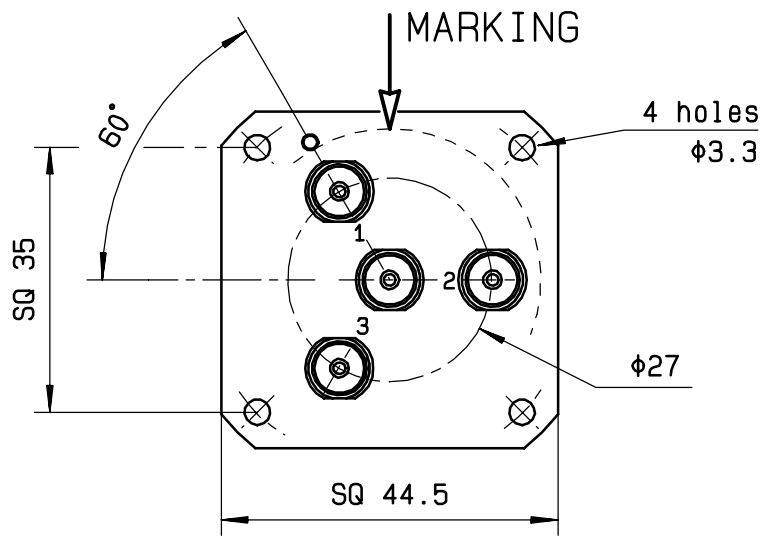
CONNECTORS : 1,6/5.6 female per IEC 169-13  
LIFE : 2.000.000 cycles per position  
SWITCHING TIME (nominal voltage;25° C) : < 15 ms  
CONSTRUCTION : splashproof  
WEIGHT : < 180 g

**ENVIRONMENTAL CHARACTERISTICS**

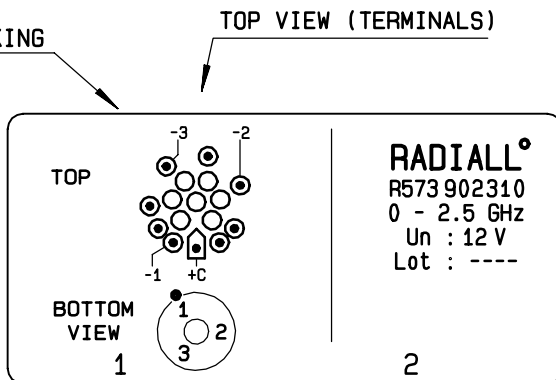
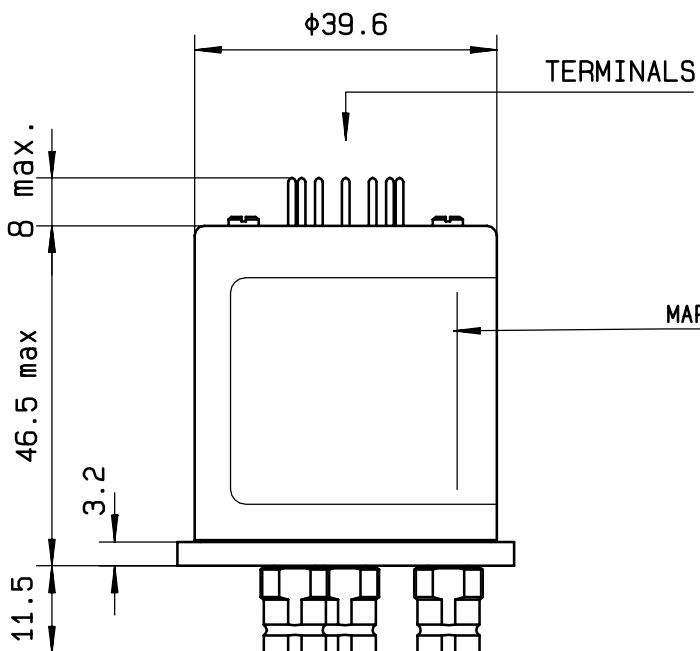
OPERATING TEMPERATURE RANGE (°C) : -25 , +70  
STORAGE TEMPERATURE RANGE (°C) : -40 , +85

(\* : average power at 25° C per RF path)

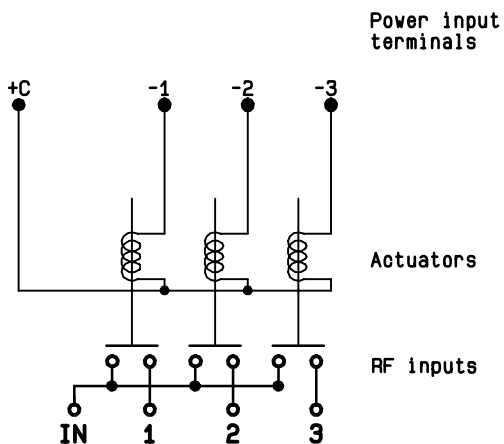
4112-9212 This information is given as an indication. In the continual goal to improve our products, we reserve the right to make any modifications judged necessary



| Voltage | RF continuity |
|---------|---------------|
| +C -1   | IN ↔ 1        |
| +C -2   | IN ↔ 2        |
| +C -3   | IN ↔ 3        |



SCHEMATIC DIAGRAM



4113-9212 This information is given as an indication. In the continual goal to improve our products, we reserve the right to make any modifications judged necessary